



Full Cassette Awning

WPC Awning 350

Contents

- 1 Product Introduction
- 2 Fabric details
- 3 Product Details & Comparison
- 4 Motor
- 5 Wind sensor
- 6 Tehoma switch

WPC Awning 350

#1

Product introduction

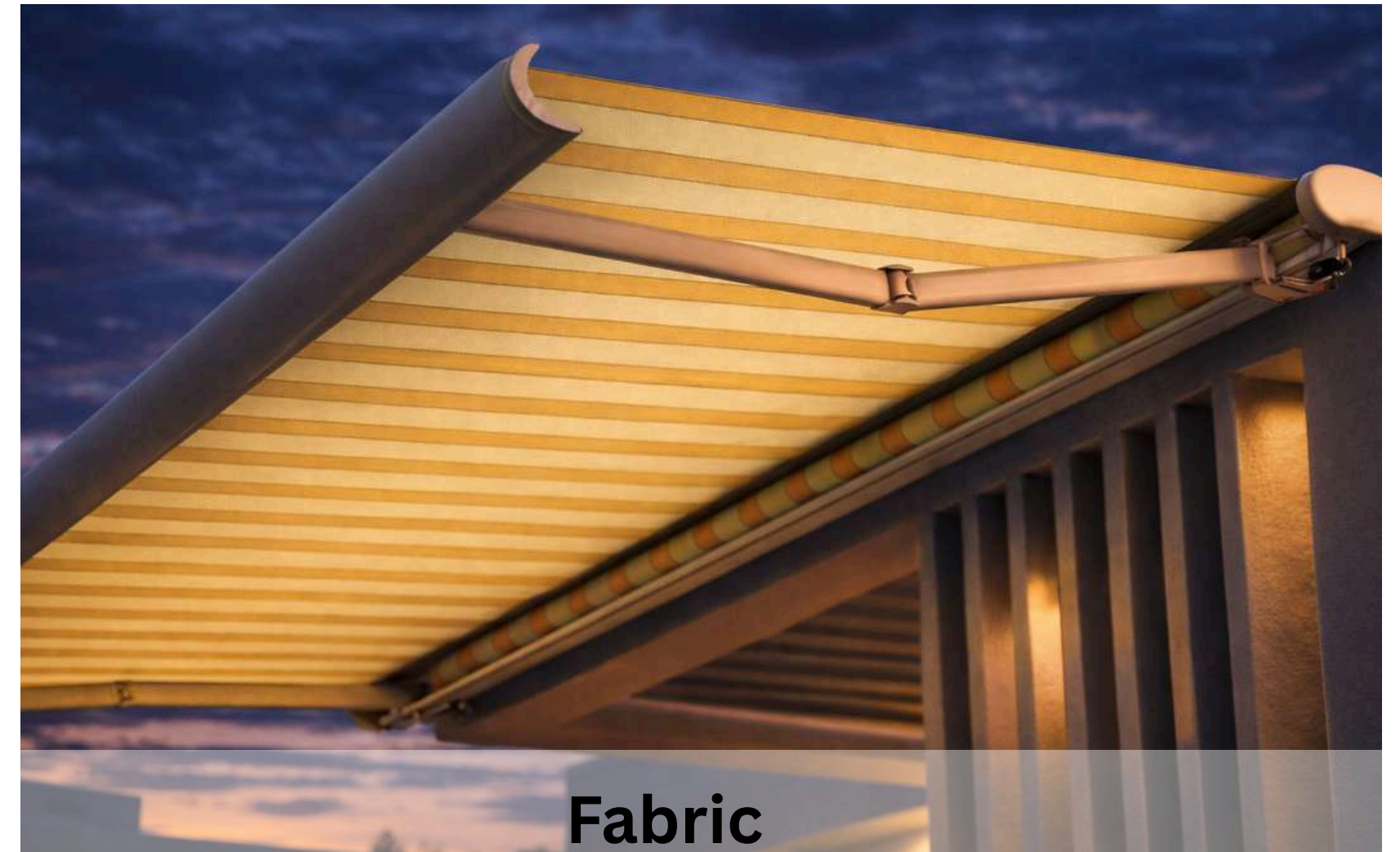


WPC Full Cassette Awning 350

The awning with cassette design which can provide the best protection for the structure and fabrics. With the use of motors, outdoor shading can be convenient and beautiful.



High-Strength 6063-T5 Aluminum Alloy



Sunbrella Awnings Fabric, made from 100% solution-dyed acrylic fibers with exceptional fade resistance even under strong sunlight. Typically finished with a fluorocarbon treatment that enhances water repellency and stain resistance. Around 8–10 oz per square yard and are available in different widths to support different covering sizes.

WPC Awning 350

#2

Fabric Details



Experience the Sunbrella® Difference

Sunbrella shade fabrics enhance your outdoor space with worry-free, protective shading that lasts.



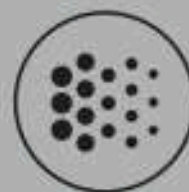
LIMITED WARRANTY

Backed by the Industry's Most Comprehensive Warranty**



RECOMMENDED AS AN EFFECTIVE UV PROTECTANT

The Skin Cancer Foundation recommends certain Sunbrella fabrics in shading products as part of a complete sun protection regimen, including regular use of sunscreen, to aid in preventing sun-induced skin damage.



Fade & UV Resistant



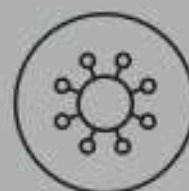
Superior Sun Protection



Breathable, Cooling Shading



Easy Care



Mold, Mildew and Stain Resistant



Sunbrella Shade Studio
See a Sunbrella fabric awning in your space in just three easy steps.



Sunbrella Fabric Finder
Find what you're looking for faster with our new Fabric Finder tool.

WPC Awning 350

About the Fabric (Imported Fabric)

Brand: Sunbrella

- **Fabric Material:**100% solution-dyed acrylic.
- **Surface Finish:** Water-repellent finish, Stain-resistant finish, Soil-release properties
- **Fabric Color Fastness:** Maintain color integrity for 5–10 years depending on environment and exposure.
- **Stretch & Tear Resistance:** Strong mechanical properties with excellent stretch and tear resistance
- **Weather Resistance:** Tight plain or basket weave used in awning fabrics increases tensile and tear strength.

Designed to withstand:

- 1)Wind stress
- 2)Fabric tension
- 3)Mechanical movement
- 4)Long-term outdoor exposure



Fabric Specification

SUNBRELLA FABRIC WITH 10 YEARS OF LIMITED WARRANTY

SUNBRELLA FABRIC SPECIFICATIONS	
Brand	Recacril [®]
Composition	100% SOLUTION-DYED ACRYLIC (AWNING GRADE)
Fabric Width	Available in standard widths of 46", 60", and 80".
Weight	8–9 oz/yd ² (≈ 271–305 g/m ²)
Finish	Water-repellent and stain-resistant surface finish with UV protection; breathable acrylic fiber.
Water Column	~200–400 mm
Oil Repellency	Moderate; resists light oils and grease; cleanable with mild detergent
Water Repellency	Water-repellent surface finish; breathable fabric.
Warp Tensile Strength	~140–160 daN/5 cm per ISO 13934-1.
UV & Weather Resistance	maintains strength and color under sunlight, rain, and outdoor exposure
Mildew Resistance	Acrylic fibers inherently resist mold and mildew growth

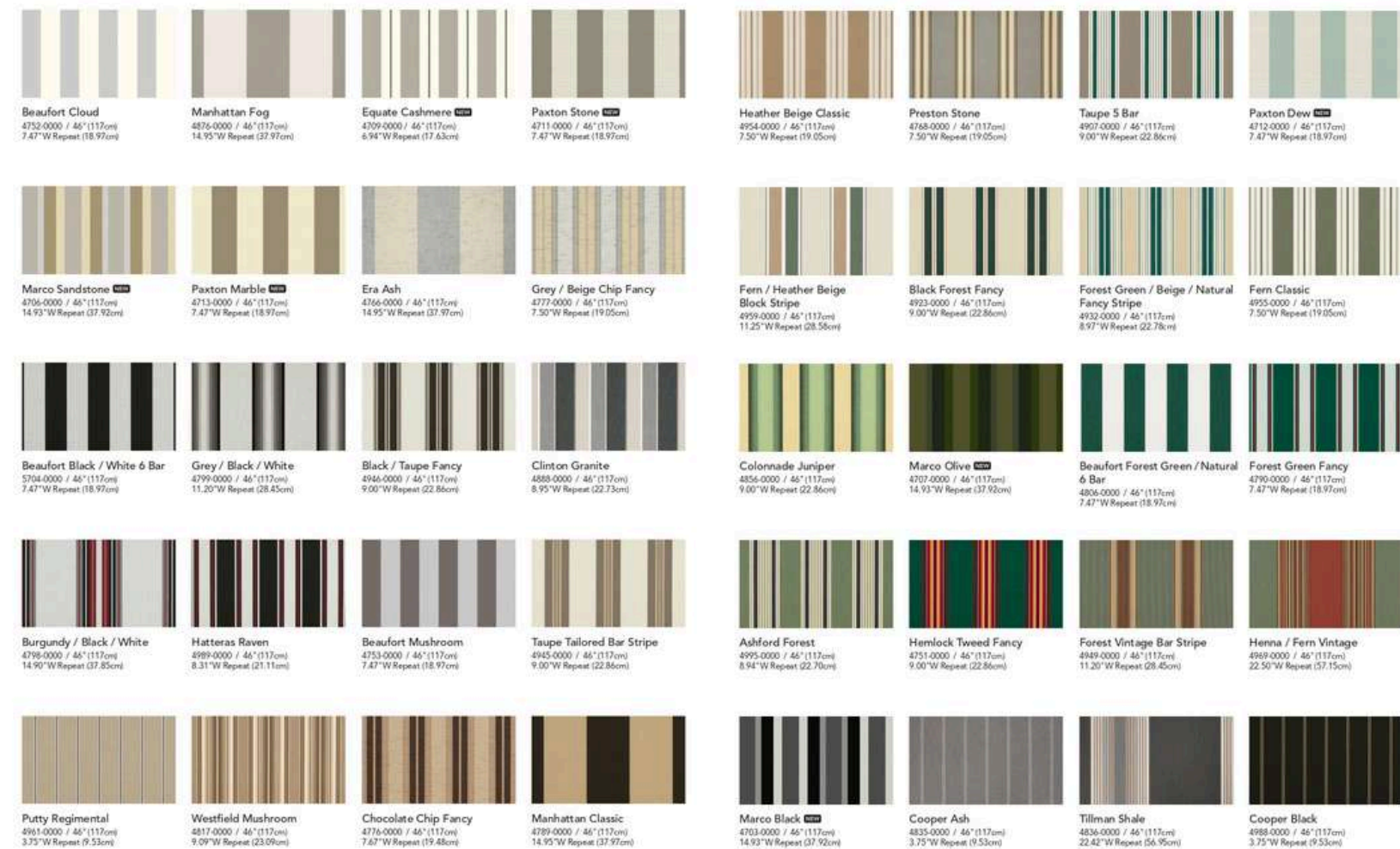


Sunbrella Solids, Textures, and Stripes

48 Solids



21 Textures



60 Stripes

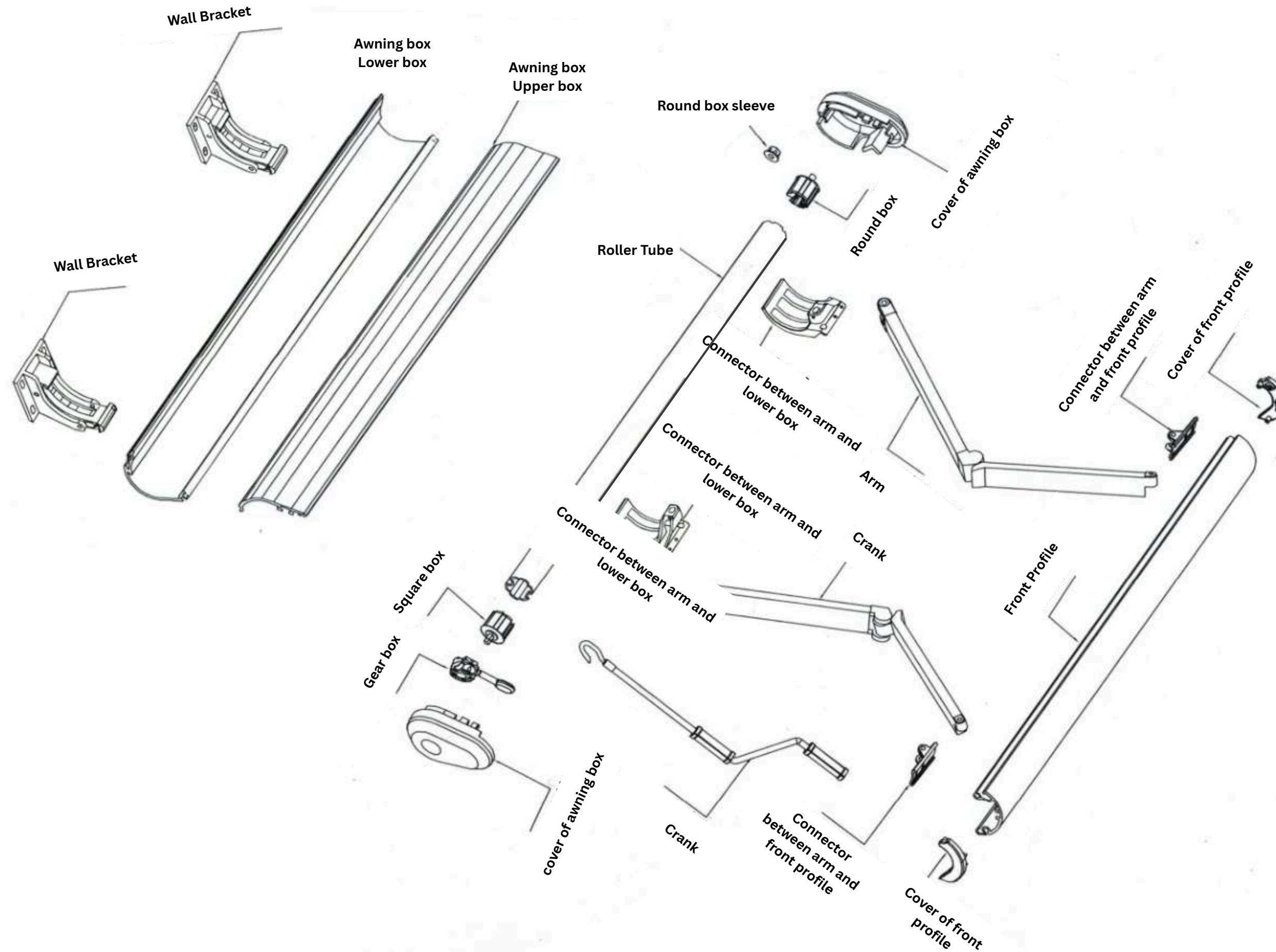


WPC Awning 350

#3 Product Detail and Comparison

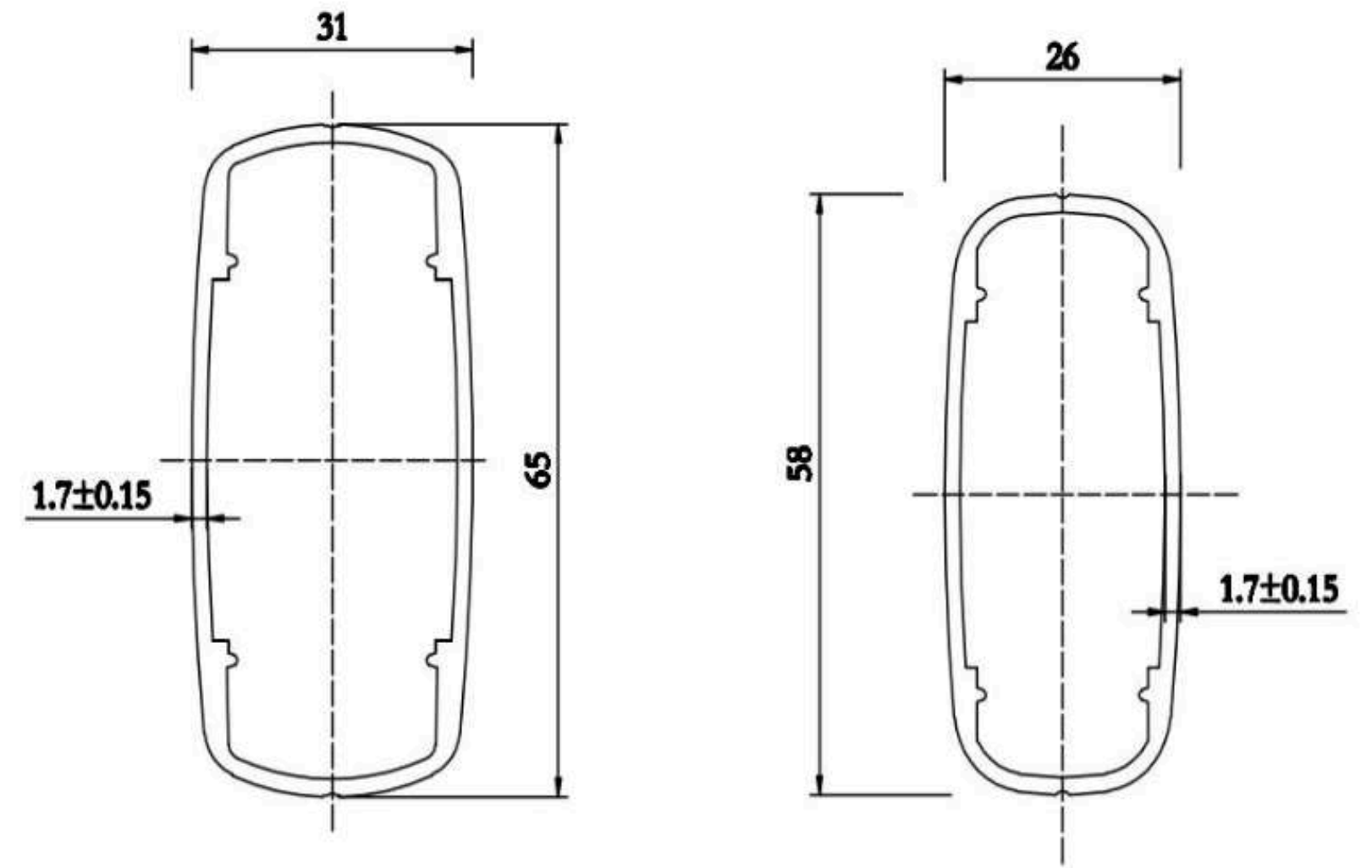


Full Cassette Skeleton Diagram



WPC Awning 350

Retractable Arm for Full Cassette



6063-T5 Aluminum Alloy Material with Powder Coated

Arm Linked by 304 Stainless Steel Chain

Arm Profile Size:

Small Profile: 58*26mm, Thickness: 1.7-3.0mm

Big Profile: 65*31mm, Thickness: 1.7-3.0mm

WPC Awning 350

Aluminum Profile for Full Cassette



WPC Awning 350

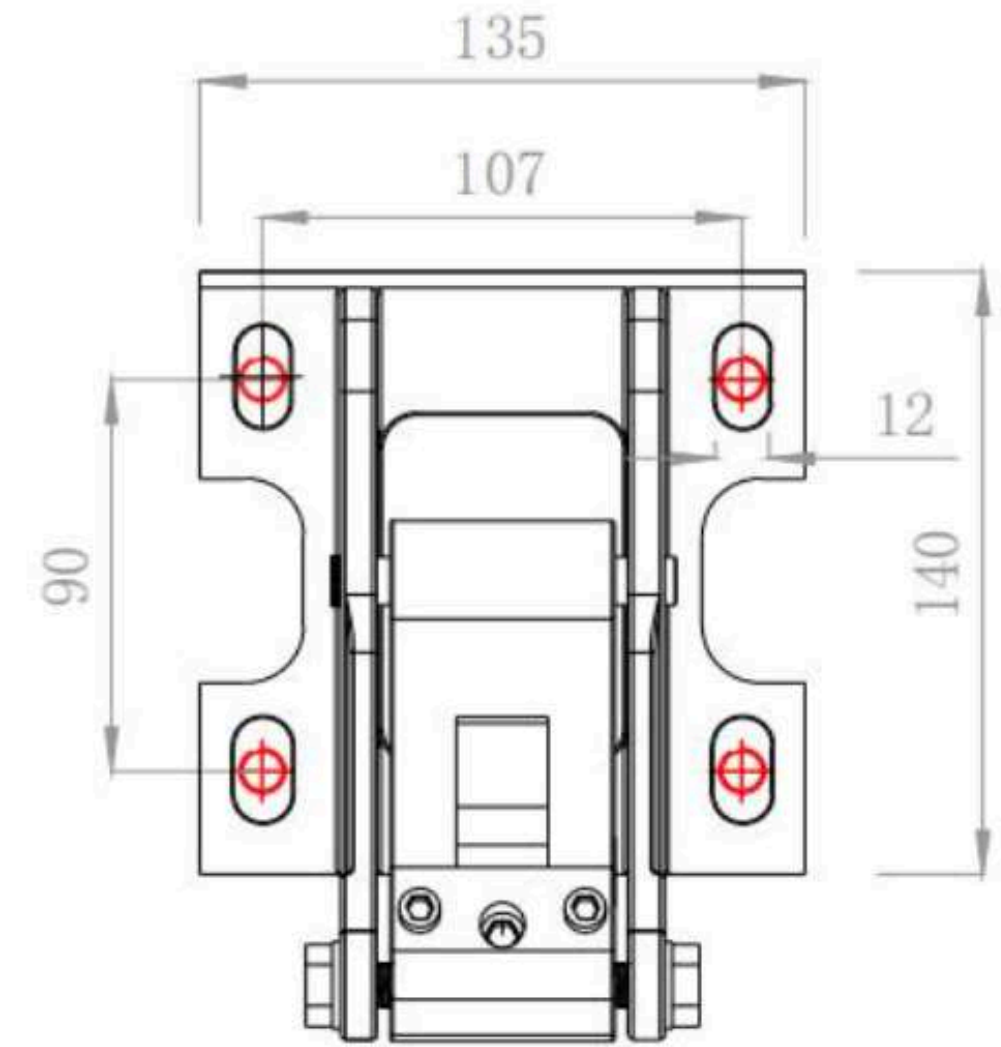
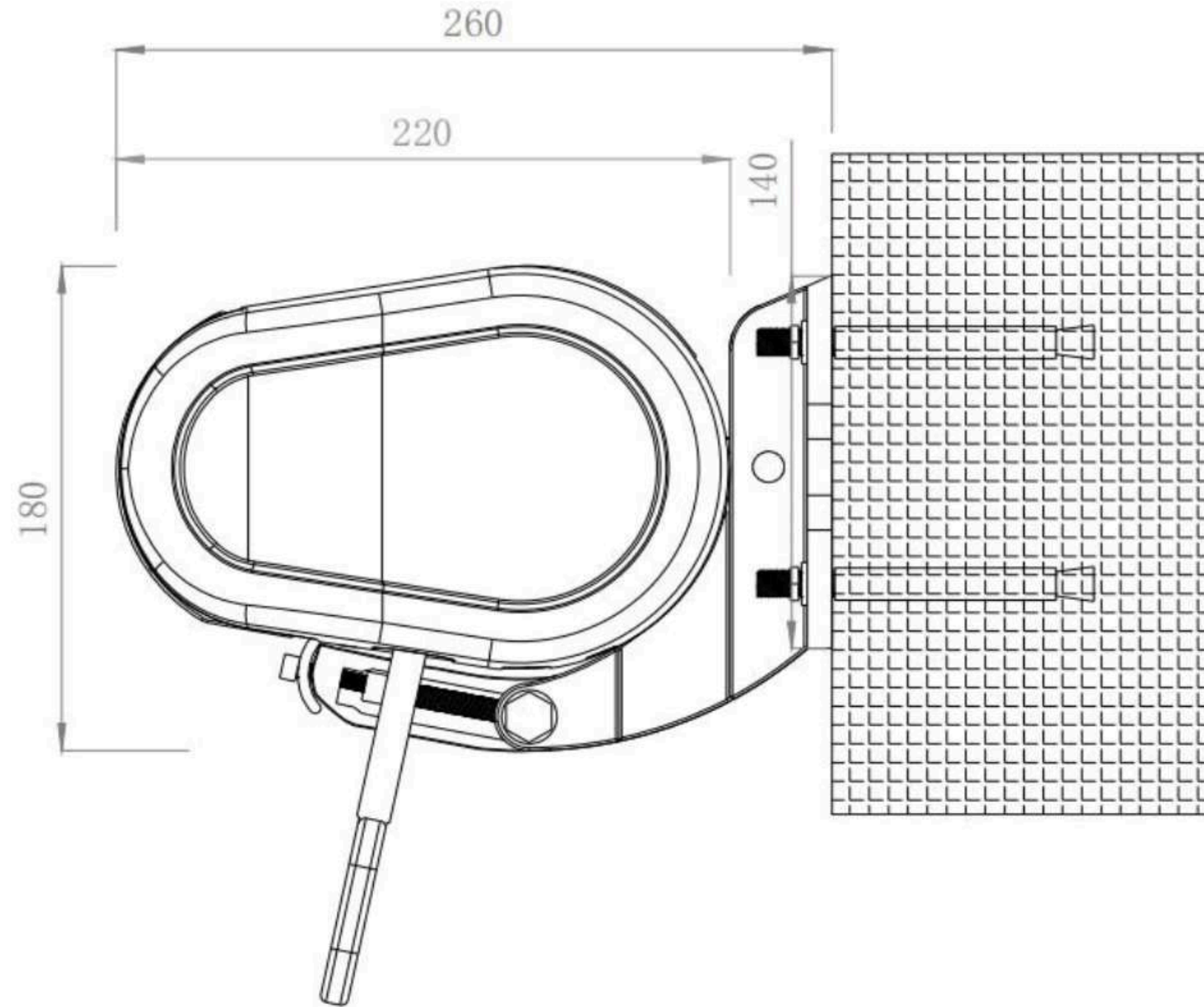
Wall Bracket for Full Cassette



**High-Strength Steel Material Has
Strong Bearing Capacity and Non-
Damaged.**

WPC Awning 350

Wall Bracket for Full Cassette



WPC Awning 350

The B04 type chain arm tube uses high-strength aluminum alloy and 304 stainless steel chain as the materials for making the arm tube. Arm profiles are thick and strong, and can lift 200KG. The maximum extension length can reach 3.5M. The surface is painted white or dark grey, which is not easy to rust and beautiful and more durable.



The B04 connector is made of high-strength aluminum alloy, which is wind-resistant, beautiful and durable.



The thickness of arm fingers is strengthened to better support the force and avoid friction between the arm tube and the front tube.



304 stainless steel chain, longer life and more durable, enhanced ability to resist corrosion and friction breakage caused by bad weather.

WPC Awning 350



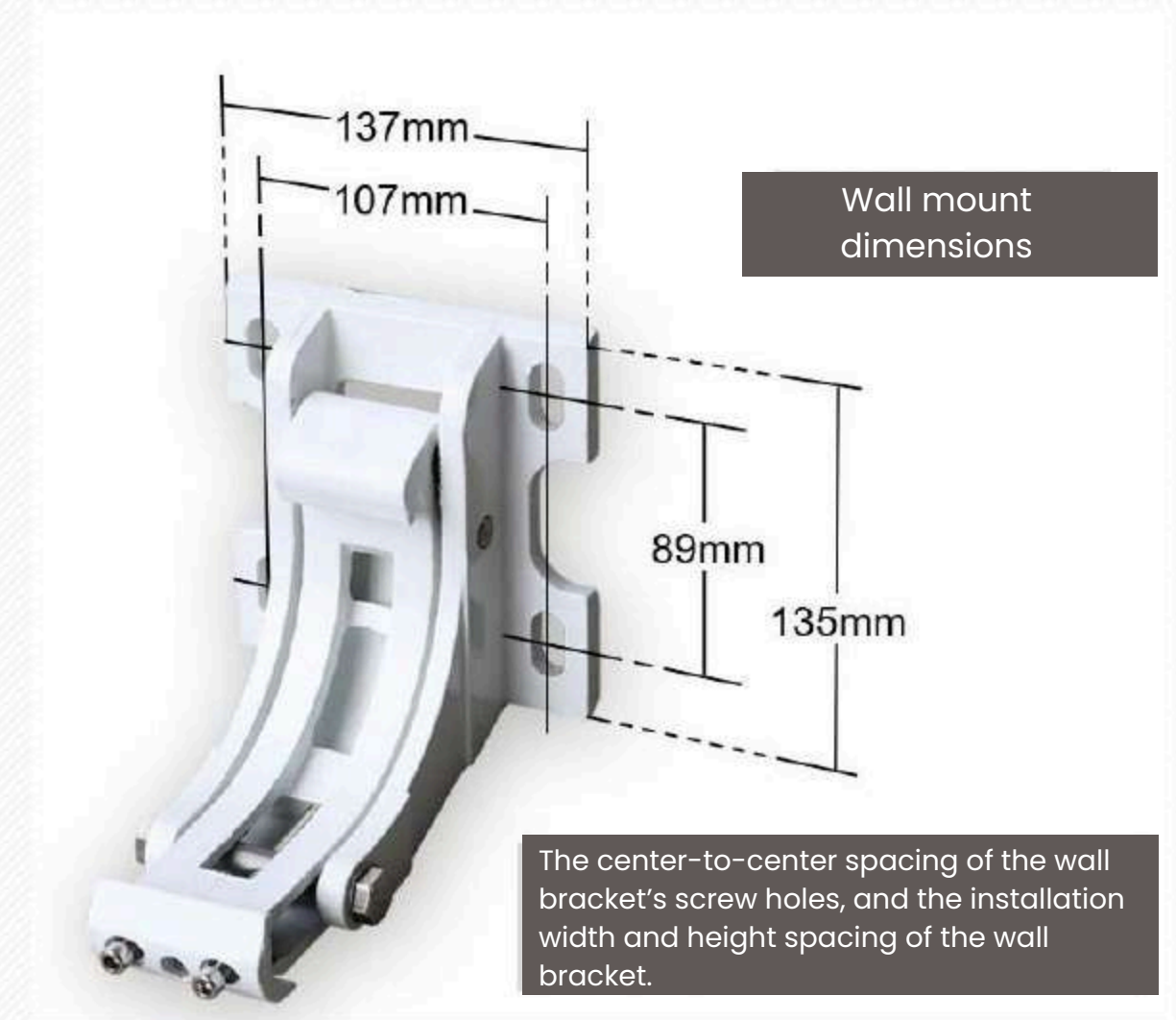
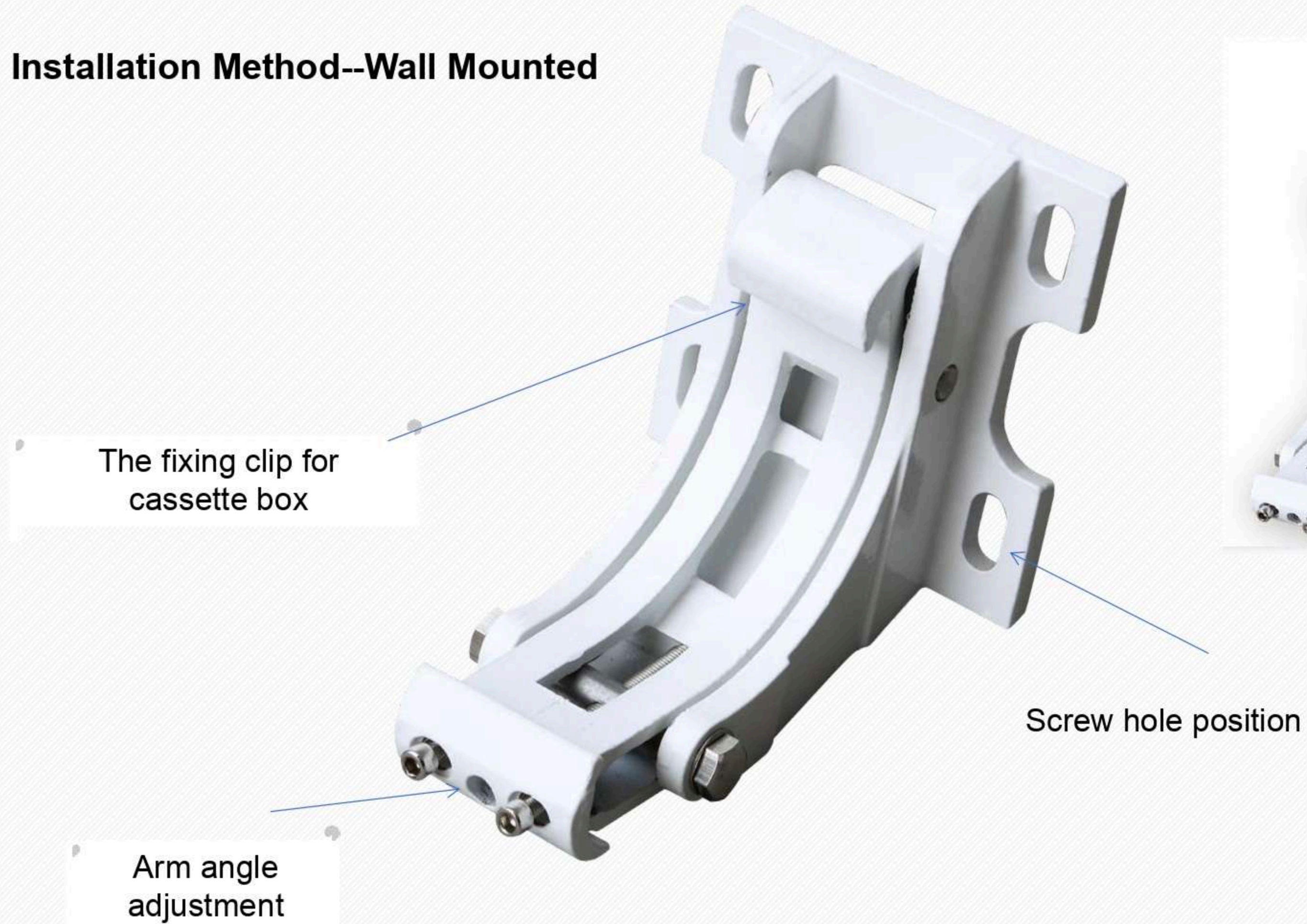
The front pipe is equipped with a hidden drainage system, which is beautiful and unique.



High-Strength Steel Material Has Strong Bearing Capacity and Non-Damaged.

WPC Awning 350

Installation Method--Wall Mounted



WPC Awning 350

Installation Method--Ceiling Mounted



Ceiling Bracket



Wall Bracket Installed on Ceiling Bracket

WPC Awning 350



V S



WPC Awning 350

The size of side cap is 219.8mm×145mm and the thickness is 5.6mm to 9mm. It is made of aluminum alloy, which is not easy to corrode and age, and has strong oxidation resistance. The one-piece design is more beautiful and easy to disassemble and assemble.

Competitor

The surface is covered with plastic, which reduces its strength after long-term use and makes it brittle and prone to aging.

WPC Awning 350

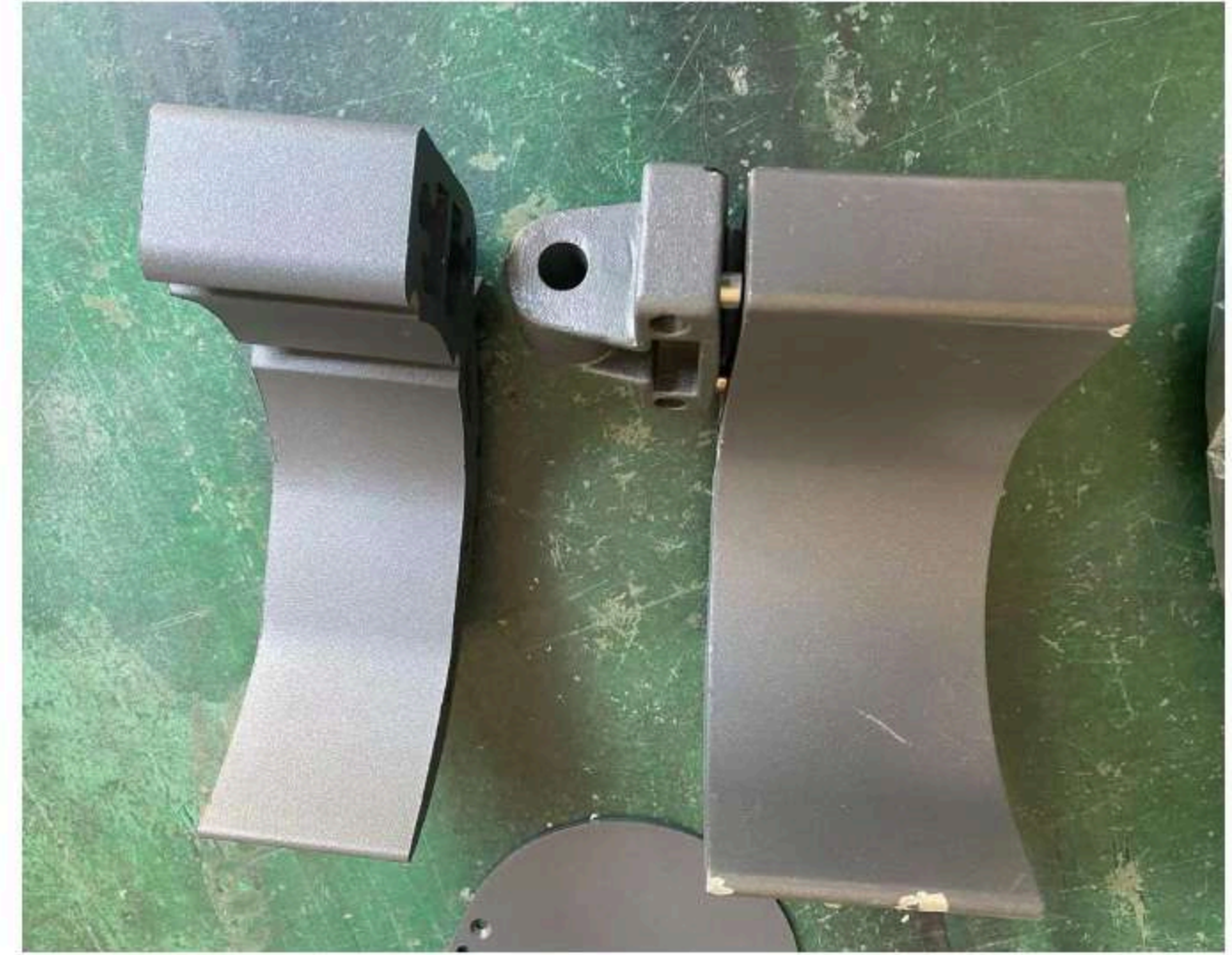


Arm Shoulder

WPC Awning 350

The arm shoulder is made of high-strength fine steel. The steel shape is strong. The curvature of the hinge base meets the product design requirements. It has a large width, a wide force-bearing area, and joint stress points. It has high pressure resistance, will not break, and is corrosion-resistant and oxidation-resistant.

V S



Arm Shoulder

Competitor

Aluminum alloy material, small stress area, weak strength and hardness, low pressure resistance, easy to break and damaged, and prone to safety hazards

WPC Awning 350



Inner Design of SCD Arm

WPC Awning 350

The thickness of SCD arm is 1.7-3.0mm. The internal structure adopts metal pipe + 304 stainless steel chain. The curved arm has high strength and more power, strong pulling force and is not easy to deform.

V S



Inner Design of Competitor Arm

Competitor

The arm of competitor adopts cable to connect chain. After long-term use, the tension will weaken and deform, and the fabric will become lumpy and water will accumulate easily.

Motor







WPC Awning 350

Radio Motor Solution for Awnings By Somfy

Without Cassette

Sunilus io is a smart, radio-controlled motor designed especially for awnings and vertical screens without a cassette. It offers smooth operation, enhanced protection, and effortless daily comfort.

-  The motor features a star head with 6 different positioning options, allowing installers to adjust the motor head orientation easily for various awning configurations.
-  One click moves the awning to your favourite setting. Perfect shade every time, instantly
-  Remote limit setting
-  An electronic detection device stops the motor instantly if there is an obstacle during any motion

Aesthetics & Long-Term Durability

Sunilus io helps extend the life of your awning by supporting:

- Automated wind protection – retracts in strong winds
- Automated solar protection – shields your patio and interior from heat
- Lighting integration – create a relaxing evening ambiance

Smart, Centralized Control

Control your entire patio—awning, screens, and lighting—using a single remote control, combining comfort, style, and smart living.

somfy[®]
Make the move



WPC Awning 350

Power supply	230 V - 50 Hz
Index Protection Rating	IP 44
Thermal time	4 minutes
Number of wires of the cable	3
Wire section	0,75 mm ²
Type of limit switch unit	Electronic
Capacity of the LSU	Diameter 50: 241 turns Diameter 60: 184 turns
Repeatability	< ± 5°
Radio frequency	868-870 Mhz (tri band)
Capacity of memory	Maxi 9 for 1W transmitter - infinite for 2W transmitters
Antenna	Integrated
Range	20 m with 2 reinforced concrete walls to be passed through Possibility to enhance radio range thanks to a Repeater
Basic crown for tube Ø	50 diameter: 50 x 1,5 mm 60 diameter: 63 x 1,5 mm
Temperature working range	80% of life time between -10°C to +40°C 20% of life time between -20°C to +70°C



somfy[®]
Make the move

WPC Awning 350

	Torque(Nm)	Speed(rpm)	Diameter
Sunilus 50 io 20/17	20	17	50
Sunilus 50 io 25/17	25	17	50
Sunilus 50 io 30/17	30	17	50
Sunilus 50 io 35/17	35	17	50
Sunilus 50 io 40/17	40	17	50
Sunilus 50 io 50/12	50	12	50
Sunilus 60 io 55/17	55	17	60
Sunilus 60 io 70/17	70	17	60
Sunilus 60 io 85/17	85	17	60
Sunilus 60 io 100/12	100	12	60
Sunilus 60 io 120/12	120	12	60



somfy[®]
Make the move

WPC Awning 350

An all-in-one io-homecontrol® awning motor with advanced features, compatible with all awning types—both cassette and non-cassette—offering full bi-directional communication



Perfect closure

The guarantee that cassette closes every time.



Adjustable electronic Stop detection « Soft Close »

Once the cassette is closed, the motor stops immediately to protect the mechanism and limit stress on the fabric. Possibility to choose between 3 levels of closure power.



Adjustable back release

When activated, it releases the motor break just after the cassette closure, to relax the fabric. This extends the lifespan of the fabric.



Star head

6 options to position the motor head



“my” favourite

In one click move the blind to your favourite position



Electronic rail guided system control

Automatic rail guided system fabric length compensation, to guarantee constant projection, event after several years.



Rail guided system protection

An electronic detection device (crown stop) stops the motor instantly if there is an obstacle during any motion.

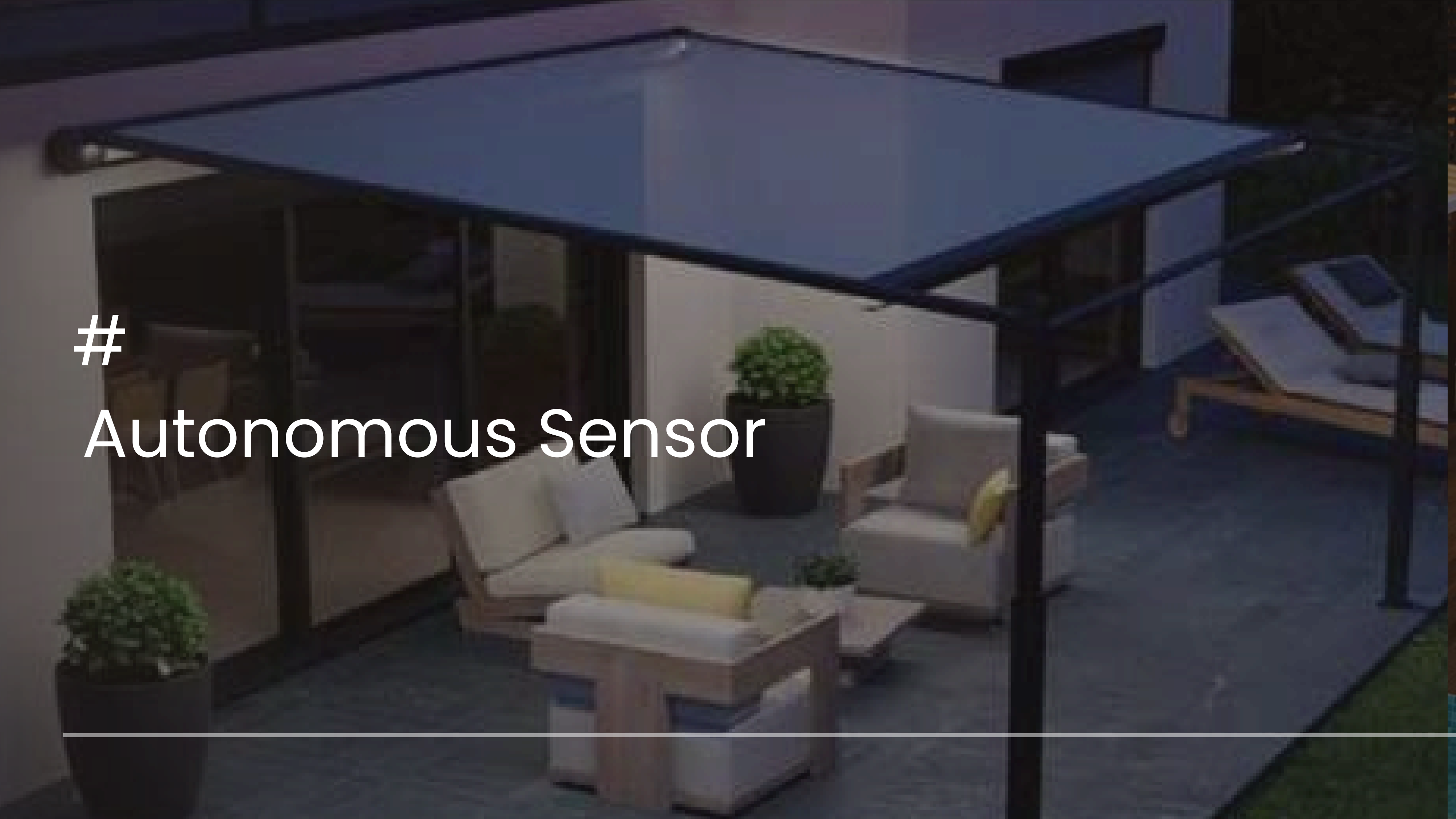


Remote limit setting

somfy®
Make the move

#

Autonomous Sensor



WPC Awning 350

EOLIS 3D WIREFREE RTS

autonomous sensor (cordless and with batteries). Its technology is based on a three dimensional acceleration sensor. This sensor is exclusively dedicated to Terrasse arm awnings (folding arm, semi cassette and cassette)

Temporisations	User mode	Demo Mode
wind appearance(acceleration)	12sec	12 sec
wind disappearance(stop of acceleration)	30 sec / 12 min	15 sec

The wind is declared present when counter of vibration pass over the threshold: - 4 times for each level 12 sec 15 sec At this moment, the awning goes up and lock the remote control and sensor orders (no possibilities to go down). Then disappearance of the vibration : - 30s after , the remote control orders are enable - 11mn30s after, the automatism (sun) orders are enable

somfy[®]
Make the move



Levels	0	1	2	3	4	5	6	7	8	9
Corresponding acceleration	*	0.15	0.225	0.3	0.375	0.45	0.525	0.6	0.675	0.75

WPC Awning 350

EOLIS 3D WIREFREE RTS

COMPATIBILITIES AT THE 10/08/06

Motors :-

OREA (230V/120V) diameter 50 / 60

- ALTUS (230V/120V) diameter 40 / 50 / 60

- LT RTS 2

- LT RTS CSI

Controls :

- Soliris sensor RTS -

Eolis sensor RTS

- Sunis sensor Wirefree RTS

Receivers :

- Universal receiver RTS

- Orienta Receiver RTS

- Soliris UNO RTS



TECHNICAL SPECIFICATIONS

Temporisations	User mode	Demo Mode
Box	Material,Color ,Size, Protection factor against solid and splash proof	ABS(UV stabilised) / PP
Battery	30 sec / 12 min	Bronzal Ultra light /BlackRAL / Alpine White 25 X 38 X 153 (h x l x L) IP 44
Battery lifetime (at ambient temperature)	Voltage Type	2x1.5V AAA Alkaline batterie
Radio characteristics (RTS Protocole):	Frequency Radiated power Modulation Type Range in free field	433.42 Mhz +/- 100kHz 6 dBm ASK Type A1 150 m
Standard		EN 60730 EN 301489-3 EN 300220-3
Temperature range	Storing Working	-30°C / + 80°C -20°C / + 60°C
Antenna		Built in
Electro Magnetic compatibility	CEI 1000-4-2 CEI 1000-4-3	8 kV lev III
CE Requirements		Yes
Weight		90g (including batteries)

WPC Awning 350

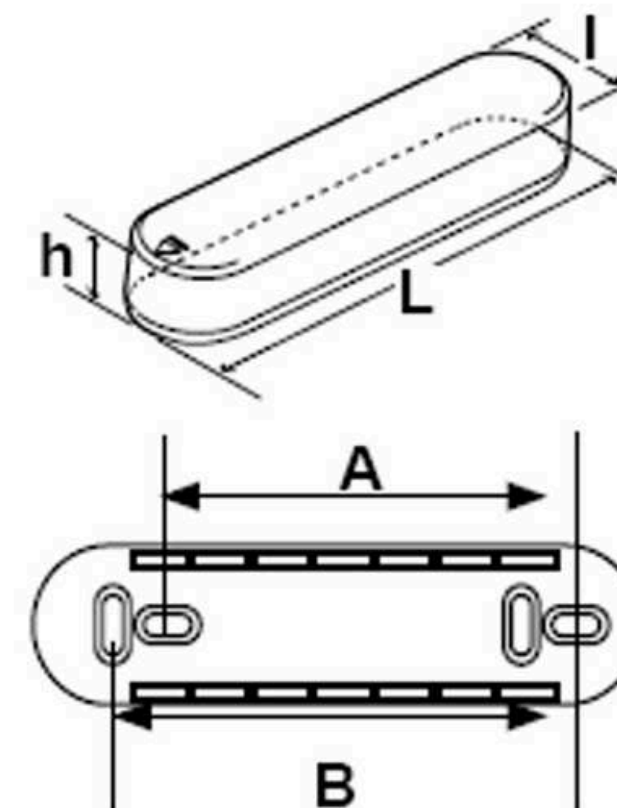
DESCRIPTION/DIMENSION

- 1) LID
- 2) Water evacuation holes
- 3) Waterproof joint
- 4) AAA Alkaline batteries
- 5) Potentiometer: - 0:Automatic setting - 1-9: predefined setting
- 6) Electronic circuit board + integrated radio antenna
- 7) Programming Button
- 8) Fixing support
- 9) ON/OFF magnet

Technical Characteristics
Power supply: 2 AAA alkaline batteries
Size: 25 x 38 x 153 mm (h x l x L)
Space between the oblong:
A= 93,5 mm B=120,5 mmm

somfy®

Make the move



Eolis 3D Wirefree io

The Eolis 3D Wirefree io is part of the process Act for Green, it received the eco-design expertise to reduce its environmental impact.



1,17 kg CO₂ eq.
Global Warming*



18,5 MJ
Total use of
primary energy*



1,13E-04 kg Sb eq.
Depletion of abiotic
resources*



ELECTRONIC COMPONENTS

Microprocessors have been selected for their more recent technology and miniaturization, which requires less material and energy in their manufacturing process.



DURABILITY

The lifetime of the product is a fundamental of Somfy quality.



RAW MATERIALS

It has been proven that this product comply with RoHS and REACH regulations.



PACKAGING

Eco-design of this product packaging has promoted the use of recycled and recyclable materials. The instructions guides are made of 100% recycled paper.

#

Tehoma Motors



WPC Awning 350

TaHoma® Switch

The TaHoma® Switch is a smart control hub that allows you to centralize, automate, and customize your awning operation

Open and evolutive solution

- Compatible with Somfy and partner products as well as voice assistants.
- New products can be easily added with the TaHoma application.
- Scenes can be adapted with the buttons according to the customer's needs

Centralize and control the home in one touch

- Dedicated buttons to launch 2 favourite scenes.
- Customize scenes as much as desired

Designed for all desires

- Fully customizable
- Fits anywhere in the home, thanks to the Wi-Fi connection and its sobriety








somfy.
Make the move

WPC Awning 350

TaHoma® Switch

5

YEARS WARRANTY

Specifications	Details
Compatible equipment	    
Requirements	Wi-Fi router with Internet access
Technical data	Power supply: 230V / 5V DC - 1A Wireless connection: Wi-Fi 802.11 802.11 b/g/n 2.4 GHz
Pack contents	TaHoma® switch Plug + Power-supply cable (1.5m)
Dimensions	162 x 67.5 x 34 mm
Weight	235 g

Control buttons

App control

Compatible
Voice control*

somfy®

Make the move

WPC Awning 350

+971507053444

Info@wpcurtains.com

www.wpcurtain.com

UAE, Ajman, New Industrial Area, Near Lucky Roundabout, Al Ajman 7078